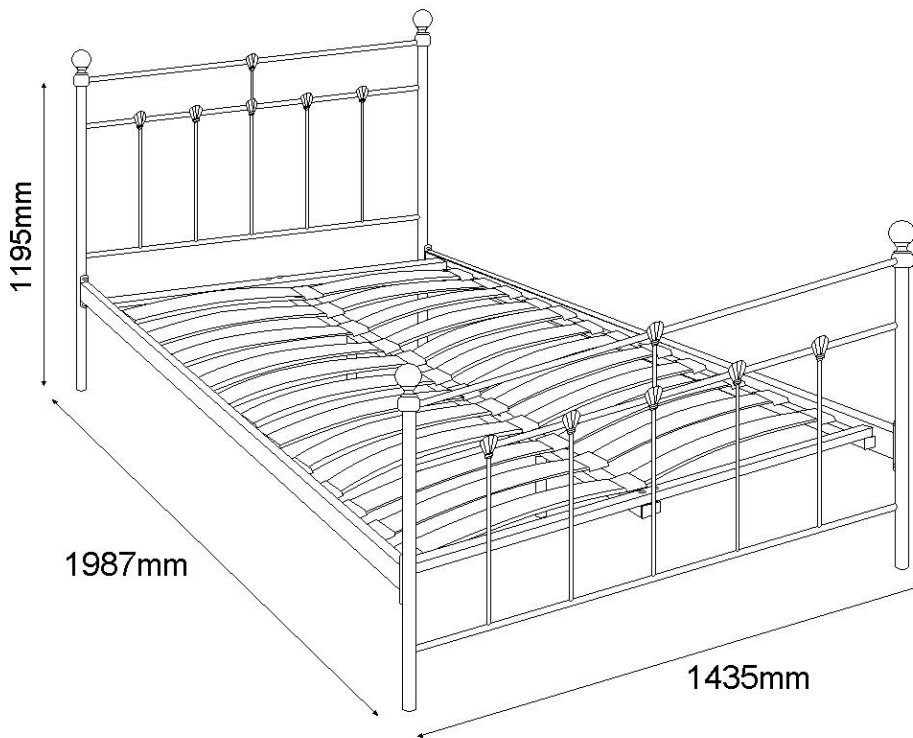


ASSEMBLY INSTRUCTION

NEWMAN

DOUBLE BED

69152


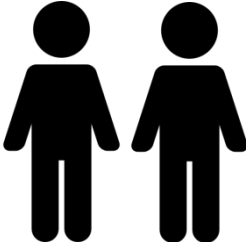



Imported by JWA Furniture Pty Ltd, Qld, Brisbane Australia.
For any assistance with assembly or for missing parts please refer to your receipt


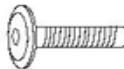




PRE-ASSEMBLY PREPARATION

Before you start:

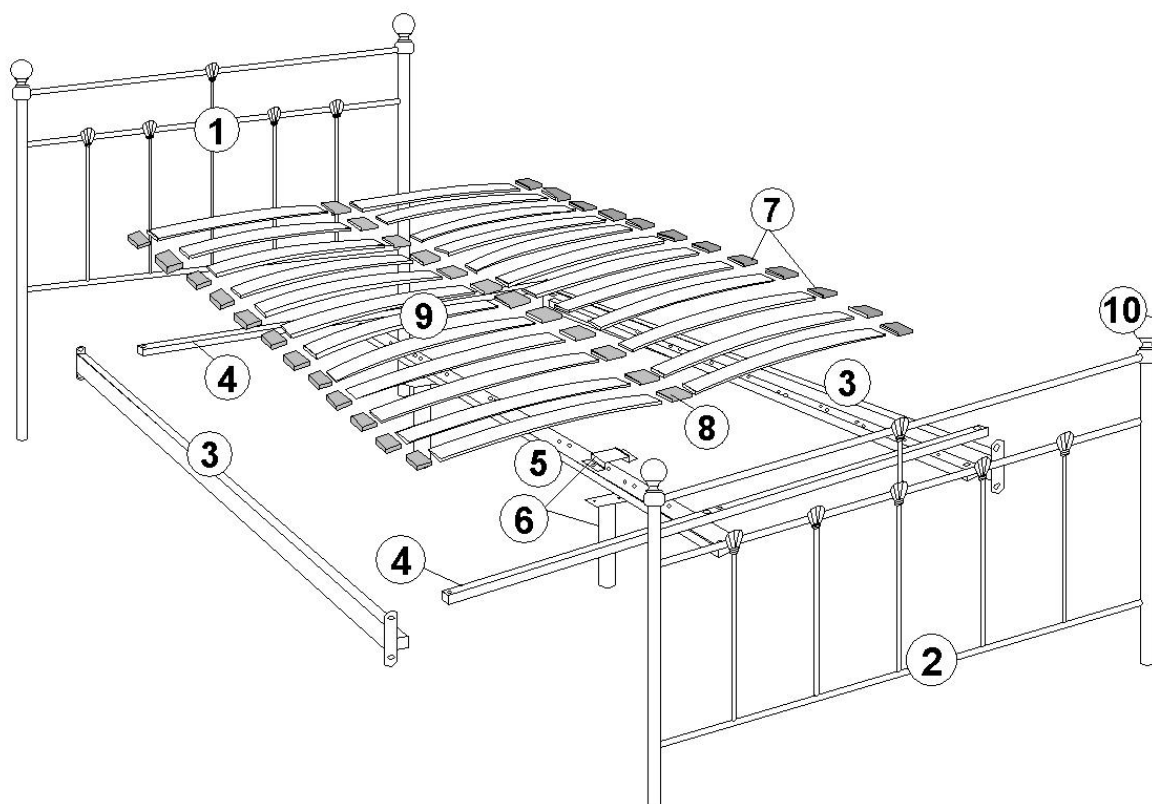
- 1.Choose a clean, level, spacious assembly area. Avoid hard surfaces that may damage the product
- 2.Take care when lifting. Product should be assembled as near as possible to the point of use
- 3.Ensure that you have all required contents for complete assembly
- 4.Always read the assembly instructions carefully before beginning assembly.
- 5.Keep all hardware parts and packaging out of reach of small children.
- 6.Do not over tighten the screws and bolts as this may damage the threads
- 7.Assembly is to be carried out by a competent adult(s) ONLY
- 8.During assembly, children should be kept away from the product due to possible risk to injury.
- 9.Do not use this item if any components are missing or damaged.
- 10.Please keep the instructions for future reference.

		
Allow 30 min	For 2 person	Additional tools required

PARTS LIST

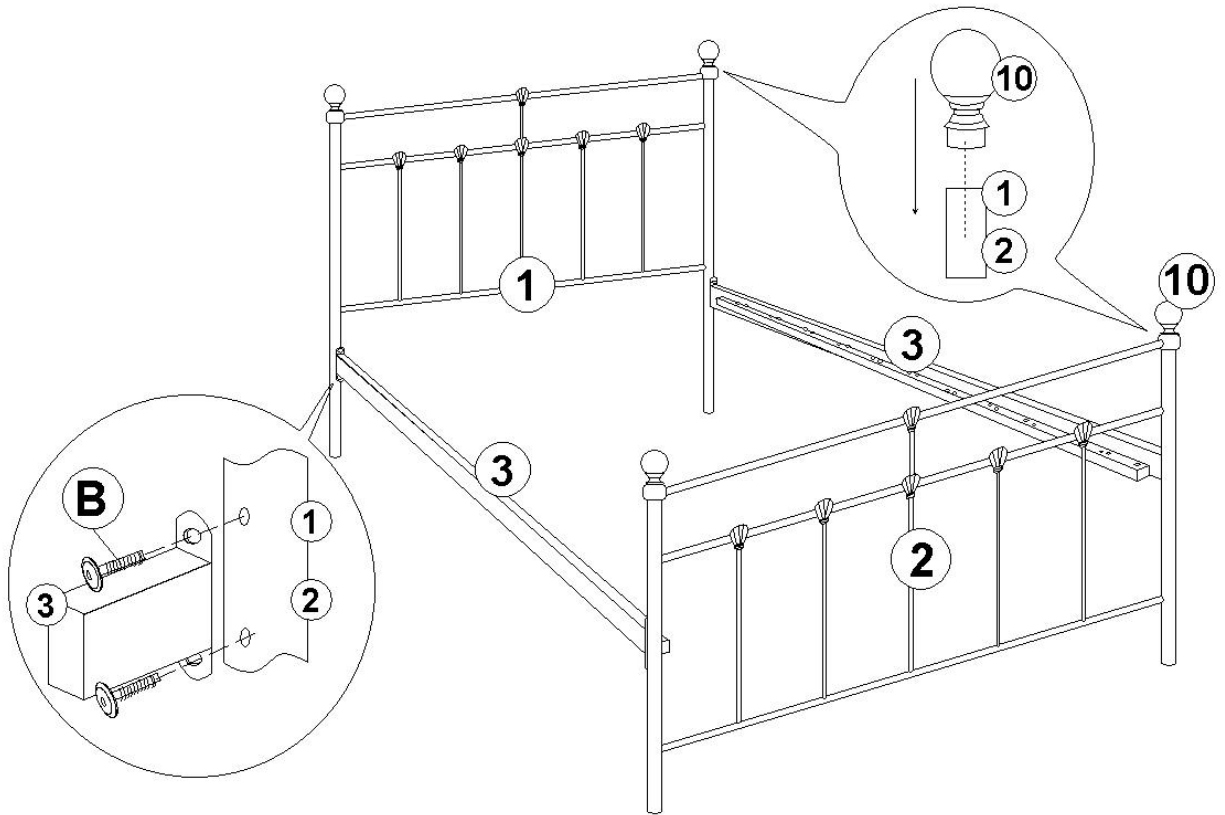
A M6x15mm bolts x 4pcs 	B M6x20mm bolts x 8pcs 	C M6x50mm bolts x 4pcs 
D M6x60mm bolts x 4pcs 	E M6 Hex nut x 12pcs 	F M4 Allen Key x 1pc <small>(used with M6 bolts)</small> 

1	Headboard x 1pc	6	Support Leg x 2pcs
2	Footboard x 1pc	7	End Cap x 24pcs
3	Siderail x 2pcs	8	Centre Cap x 12pcs
4	Cross Rail x 2pcs	9	Slat (678mm) x 24pcs
5	Centre Rail x 1pc	10	Metal bulbs x 4pcs



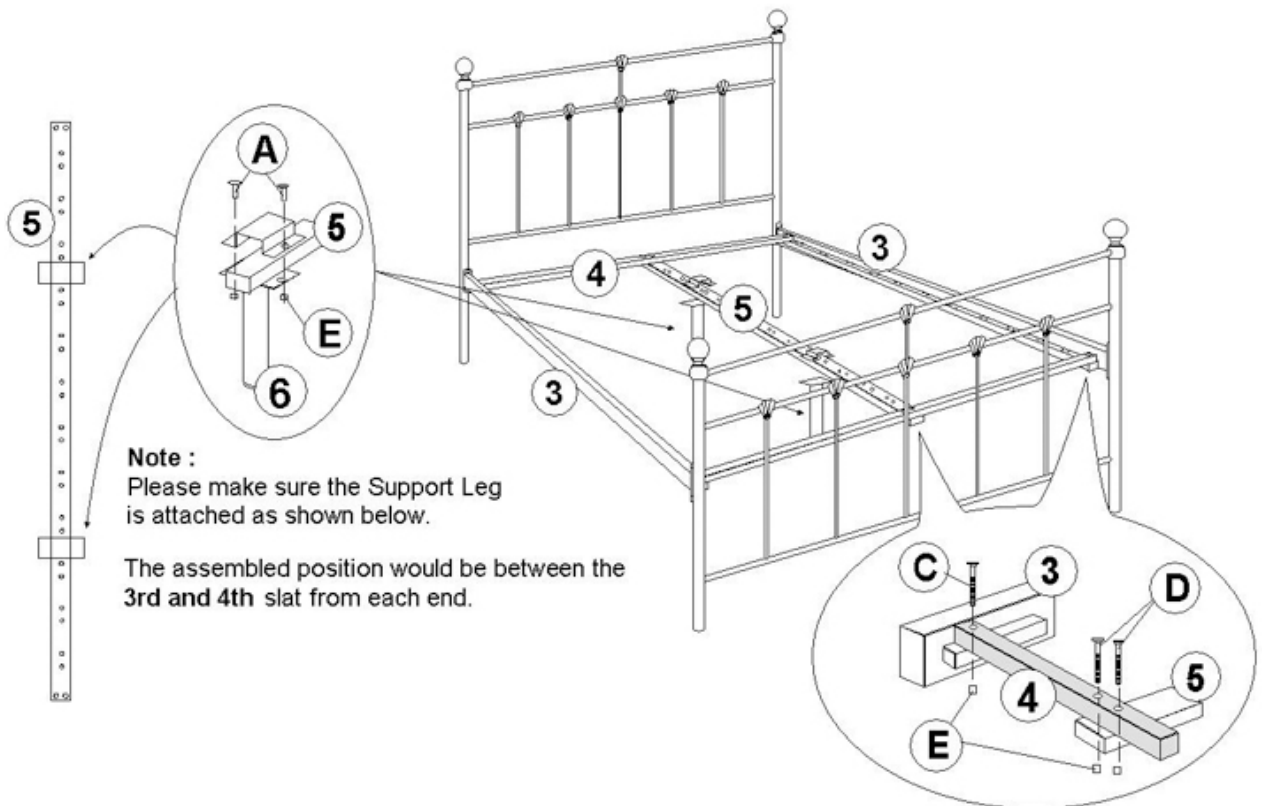
STEP 1:

- Prepare a protected surface with a blanket or cardboard.
- Connect a side rail(3) to the headboard and footboard. Secure with 2x bolt(B) per corner. Fasten with allen key(F).
- Repeat for the other side rail.
- Push the 4x metal bulbs(10) into the hole above the headboard and footboard.



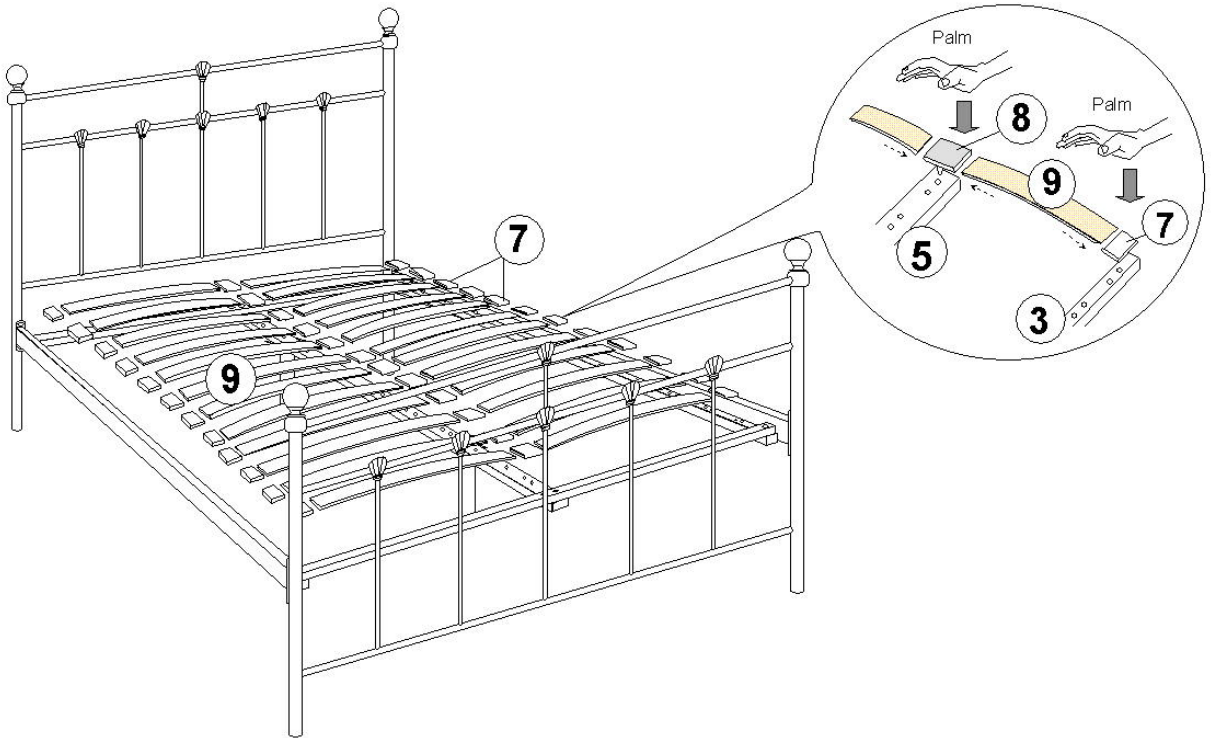
STEP 2:

- Attach the 2x supports(6) to the centre rail(5), as shown below. Use 2x bolt(A) per leg, threaded from the top, and lock with nut(E). Fasten with allen key(F) and hold the nut with a pair of pliers.
- Attach the cross rails(4) near the headboard and footboard, as shown below. Thread bolt(C) from the top on every corner, and lock with nut(E). Fasten with allen key(F) and hold the nut with a pair of pliers.
- Attach the centre rail(5) to the cross rails(4), as shown below. Thread 2x bolt(D) from the top, in the middle of each cross rail(4), and lock with nut(E). Fasten with allen key(F) and hold the nut with a pair of pliers.



STEP 3:

- Attach an end cap(7) onto every slat, 1 per slat(9).
- Take 2x slats and cup the non capped end into either side of the middle cap(8). Form 12x slat pairs.
- Attach the slat pairs to the bed as shown below. Push the caps into the holes.



Assembly Is Complete



PRODUCT CARE:

FURNITURE / BED

- 1. When assembling your furniture / bed please ensure that you have checked the contents for all relevant parts.**
- 2. When tightening bolts make sure that they are fully tightened but not forced.**
- 3. When moving your fully assembled bed you must first remove the mattress and lift the frame into position, take care when lifting and always have two people handling the bed. PLEASE DO NOT DRAG THE BED as this will cause damage to the rail.**
- 4. It is advisable to use approved cleaning products when cleaning the furniture and bed frame as certain chemical based cleaners could have an adverse effect on the bed finish.**